



QUARTER-TURN T-HANDLE POP-OUT

T-handle with tubular lock cylinder. When the cylinder is opened, the handle pops out and can be turned and to lock the handle, simply push it back. Mounted with countersunk screws (not included).



MATERIAL

Cylinder: Steel, zinc plated

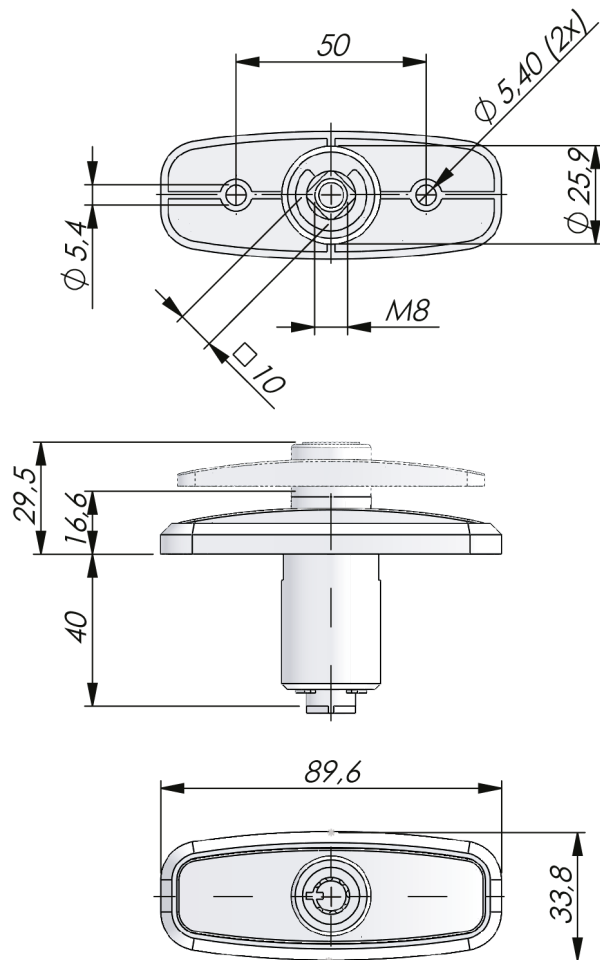
Handle: Zinc die cast, chrome plated or black coated

Housing: Zinc die cast, chrome plated or black coated

TECHNICAL INFORMATION

Key extraction: Open / Closed

Cylinder information: Supplied with two keys
Cam: Supplied on request.



P/N	Cylinder	Surface treatment
251380	Keyed alike	Chrome
251380-1	Keyed to differ	Chrome
251580	Keyed alike	Black
251580-1	Keyed to differ	Black

